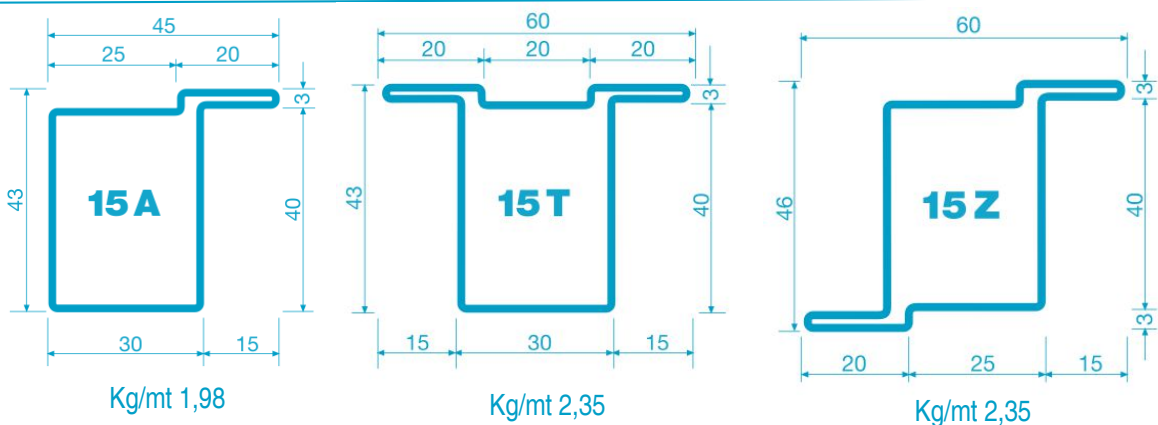
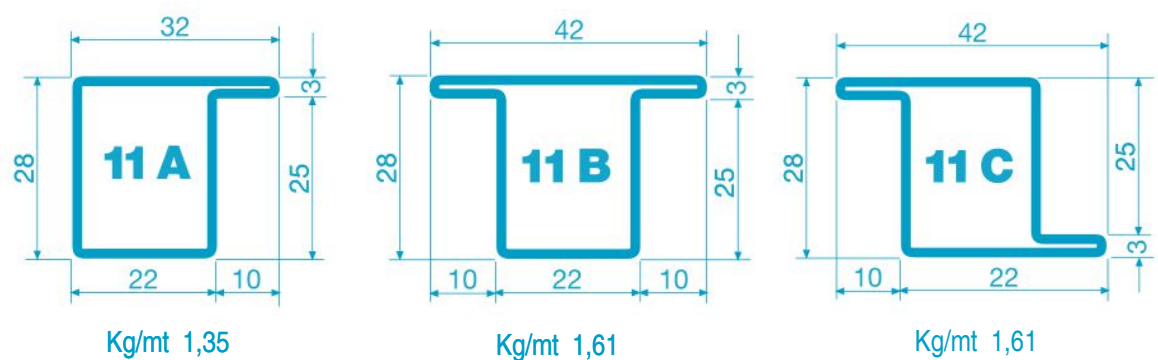
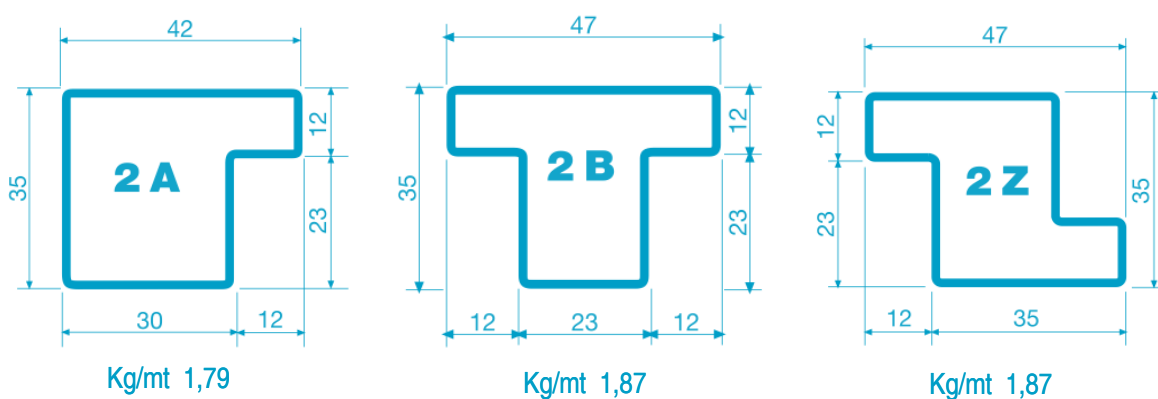
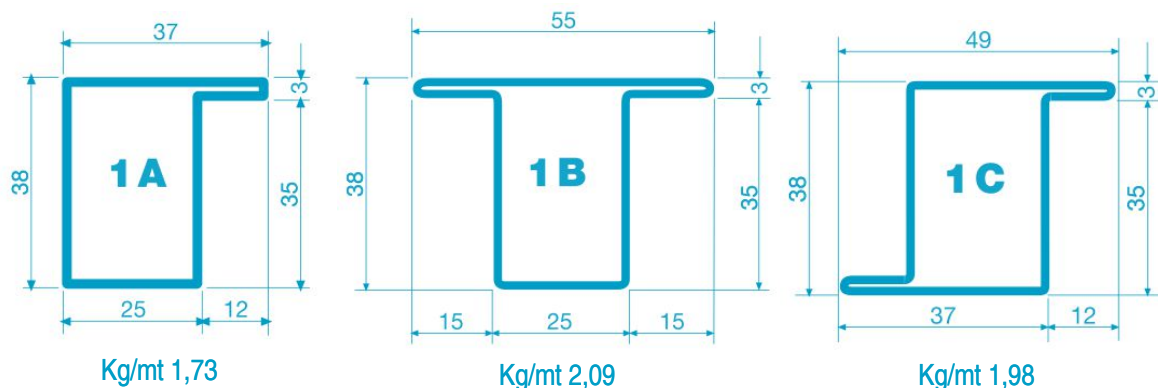
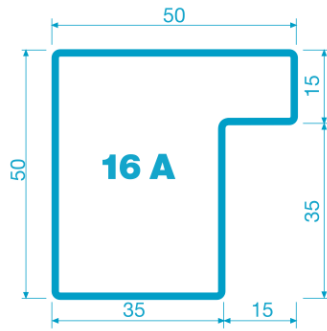


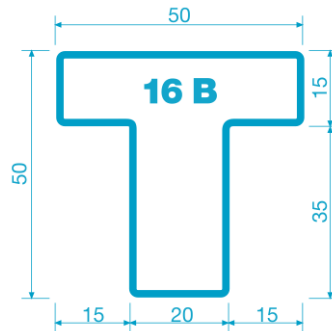
TUBOLARI SERRAMENTI SP. 15/10 mm

TUBULARS SECTIONS FOR WINDOW FRAMES thk. 15/10 mm

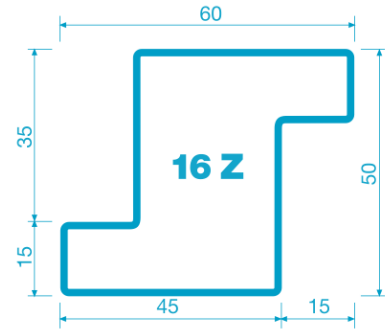




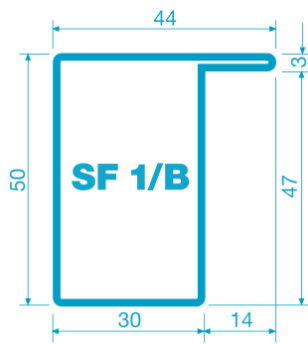
16 A
Kg/mt 2,29



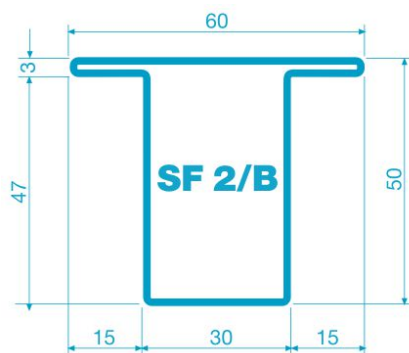
16 B
Kg/mt 2,29



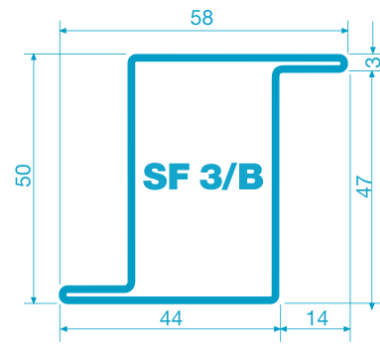
16 Z
Kg/mt 2,53



SF 1/B
Kg/mt 2,18



SF 2/B
Kg/mt 2,53



SF 3/B
Kg/mt 2,53